

PS2 Series

plunger piston metering pumps

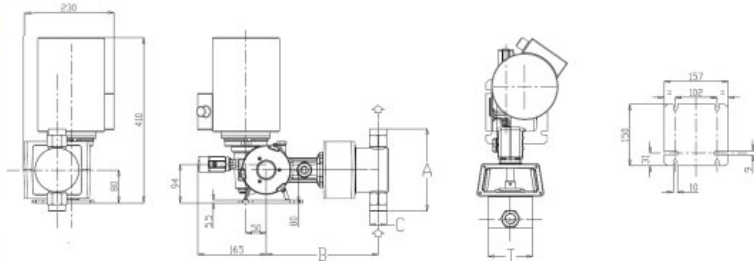


PUMP MODEL	Strokes/min	Flow Rate [lph]	Pressure				Connections		3-Phases Motor [kW]
			SS 316 L		PVC		SS 316 L	PVC	
			bar	psi	bar	psi			
PS2E 025	58	40	20	290	10	145	3/8" GF	3/8" GF	0,25
	78	53							
	116	80							
PS2E 030	58	55	20	290	10	145	3/8" GF	3/8" GF	0,25
	78	75							
	116	112							
PS2E 038	58	90	20	290	10	145	1/2" GF	3/8" GF	0,37
	78	120							
	116	180							
PS2E 048	58	140	20	290	10	145	1/2" GF	1/2" GF	0,55
	78	190							
	116	284							
PS2E 054	58	180	15	217,5	10	145	1/2" GF	1/2" GF	0,55
	78	242							
	116	365							
PS2E 064	58	250	10	145	10	145	3/4" GF	3/4" GF	0,75
	78	335							
	116	505							
PS2E 076	58	365	7	101,5	7	101,5	1" GF	1" GF	0,75
	78	485							
	116	730							
PS2E 089	58	495	5	72,5	5	72,5	1" GF	1" GF	0,75
	78	660							
	116	1000							

Using the 60 Hz triphases motor the performances of the pumps will suffer the following variations: **Pressure: -20%; Flow Rate: +20%**

TECHNICAL FEATURES

Flow Rate	up to 1000 lph
	up to 20 bar (290 psi)
Pressure	58 [A] • 78 [B] • 116 [C]
Stroke rate	strokes/minute
	from 25 to 89 mm
Piston diameter	Standard 0,25 • 0,37 • 0,55 • 075
Motor	kW [IP55]
	15 mm
Stroke length	SS 316 L or PVC (standard)
Liquid end	SS 316 L pump head 90° C
Max. dosage temperature	PVC pump head 40° C
Flow rate adjustment	Every pump can be equipped with an electric actuator which accepts a 4÷20 mA
SS 316 L or Ceramic Piston	The material in contact with the liquid to be dosed are listed in the "pump head materials" table (special materials may be supplied on request)



PISTON DIAMETER	SS 316 L				PVC			
	A	B	C	T	A	B	C	T
025	120	258	3/8" GF	68	147	258	3/8" GF	80
030	120	258	3/8" GF	68	147	258	3/8" GF	80
038	160	268	1/2" GF	88	168	268	3/8" GF	100
048	160	268	1/2" GF	88	196	268	1/2" GF	100
054	173	268	1/2" GF	108	216	268	1/2" GF	120
064	202	273	3/4" GF	108	222	237	3/4" GF	120
076	238	288	1" GF	138	244	288	1" GF	148
089	252	288	1" GF	150	256	288	1" GF	160

PUMP IDENTIFICATION

P	S2	E	064	B	31	C4	000
1	2	3	4	5	6	7	8
1 Model				5 Strokes rate			
2 Mechanism type				6 Pump head materials			
3 Stroke length				7 Motor			
4 Plunger diameter				8 Optional			

PUMP HEAD MATERIALS	STANDARD		ON REQUEST	
	21	31	24	34
Pump head	SS 316 L	PVC	SS 316 L	PVC
Piston	SS 316 L	Ceramic	Ceramic	Ceramic
Piston seal	FPM	FPM	EPDM	EPDM
Valves	SS 316 L	Ceramic	SS 316 L	Ceramic
Valve seats	SS 316 L	PVC	SS 316 L	PVC

M2R Series

plunger piston metering pumps



PUMP MODEL	50 Hz			60 Hz			Pressure		Electric motor	Suc/Dis Connec
	Strokes/min	Flow Rate		Strokes/min	Flow Rate					
		lph	gph		lph	gph	bar	psi	kW	BPS
M2R 25	59	32,4	8,6	71	38,9	10,3	40	580	0,37	3/8" F
	78	42,8	11,3	94	51,4	13,6	40	580	0,37	3/8" F
	100	55	14,6	120	66	17,5	40	580	0,37	3/8" F
M2R 35	59	64	16,9	71	76,8	20,3	40	580	0,37	3/8" F
	78	85	22,5	94	102	27	31	450	0,37	3/8" F
	100	109	28,8	120	130,8	34,6	24	348	0,37	3/8" F
	117	127	33,6	-	-	-	31	450	0,55	3/8" F
M2R 49	59	127	33,6	71	152	40,3	20	290	0,37	1/2" F
	78	168	44,4	94	202	53,3	15,5	225	0,37	1/2" F
	100	216	57,1	120	259	68,6	12	175	0,37	1/2" F
	117	253	66,9	-	-	-	15,6	226	0,55	1/2" F
M2R 63	59	214	56,6	71	76,8	20,3	12	174	0,37	1/2" F
	78	282	74,6	94	102	27	9,3	135	0,37	1/2" F
	100	362	95,8	120	130,8	34,6	7,3	106	0,37	1/2" F
	117	424	112,2	-	-	-	9,4	136	0,55	1/2" F
M2R 86	59	390	103,2	71	76,8	20,3	6,6	96	0,37	3/4" F
	78	515	136,2	94	102	27	5	73	0,37	3/4" F
	100	660	174,6	120	130,8	34,6	4	58	0,37	3/4" F
	117	773	204,5	-	-	-	5,1	74	0,55	3/4" F
M2R 98	59	507	134,1	71	608	161	5	73	0,37	1" F
	78	670	177,2	94	804	212,7	4	58	0,37	1" F
	100	860	227,5	-	-	-	3	44	0,37	1" F

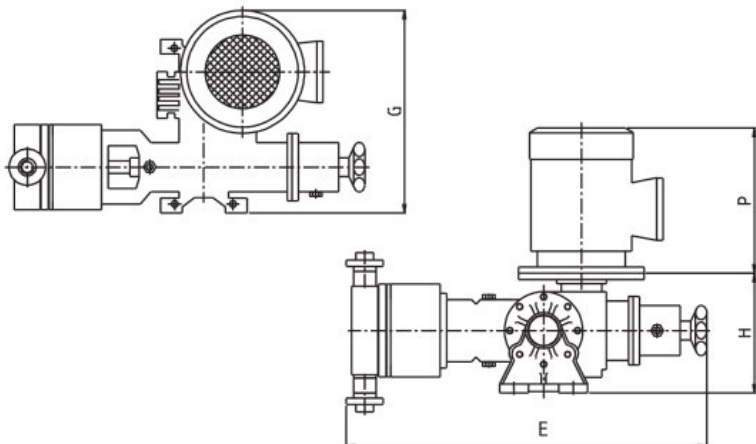
The shown pressures refer to rated values. Available motors (0,37 and 0,55 kW). For further details please contact our offices.

TECHNICAL FEATURES

Flow Rate	STA Version (SS 316 L Pump Head) up to 127 lph (33,6 gph) SVA Version (SS 316 L/FPM Pump Head) up to 860 lph (227,5 gph)
Pressure	STA Version (SS 316 L Pump Head) up to 40 bar (580 psi) SVA Version (SS 316 L/FPM Pump Head) up to 20 bar (290 psi)
Stroke rate	59 • 78 • 100 • 117 strokes/minute (50Hz)
Piston diameter	STA Version (SS 316 L Pump Head) from 25 to 35 mm SVA Version (SS 316 L/FPM Pump Head) from 49 to 98 mm
Motor	0,37[D] • 0,55[E] kW

PUMP IDENTIFICATION

M2R	98	S	V	A	24	4	E
1	2	3	4	5	6	7	8
1	2	3	4	5	6	7	8
1 Pump model				5 [A] Single Valves • [B] Double Valves			
2 Piston diameter				[F] Wing Valves			
3 Pump head S=SS 316 L				6 Reduction ratio [14 • 18 • 24]			
4 Packing:				7 Motor Poles [2 • 4]			
				[T] PTFE • [N] NBR • [V] FPM			
				8 Motor Power			



DIMENSIONS AND WEIGHT PUMPS WITHOUT MOTOR

Piston diameter	mm			Kg
	E	G	H	
25	470	236	152	16
35	470	236	152	17
49	470	236	152	18
63	470	236	152	18
86	470	236	152	25
98	470	236	152	26

DIMENSIONS AND WEIGHT OF ELECTRIC MOTORS

Power kW	0,37		0,55	
Standard	[P]	mm	230	230
		Kg	6	17
Eexd	[P]	mm	290	290
		Kg	17	17

VERSION		CONTACT PARTS MATERIALS				
Type	Bar Max.	Pump head	Plunger	Packing	Valves	Seats
STA	40	SS 316 L	SS 316 L	PTFE	SS 316 L	SS 316 L
SVA	Low Pressure	SS 316 L	SS 316 L	FPM	SS 316 L	SS 316 L